

Flip Pro Multi - Dual USB-C & 12V Power Socket - SC-MULTI-F1

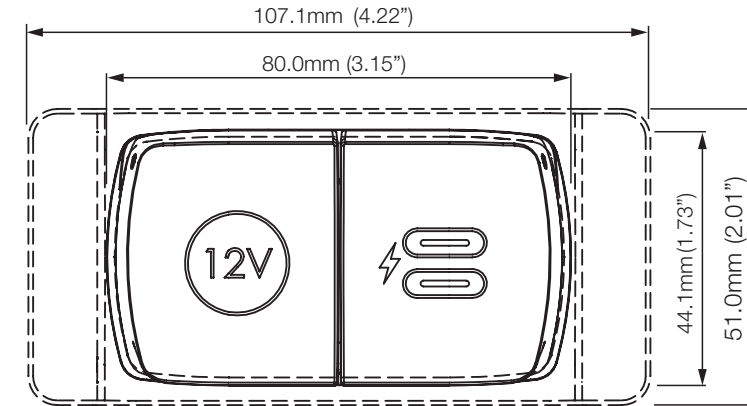
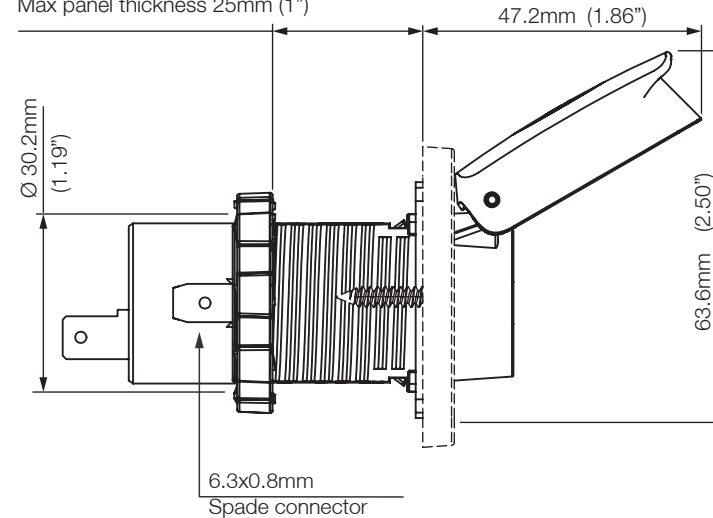
Email: sales@scanstrut.com

Email: usasales@scanstrut.com

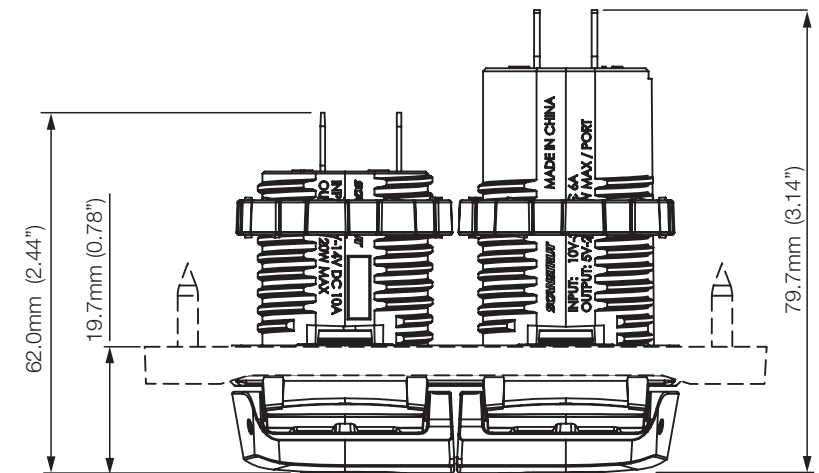
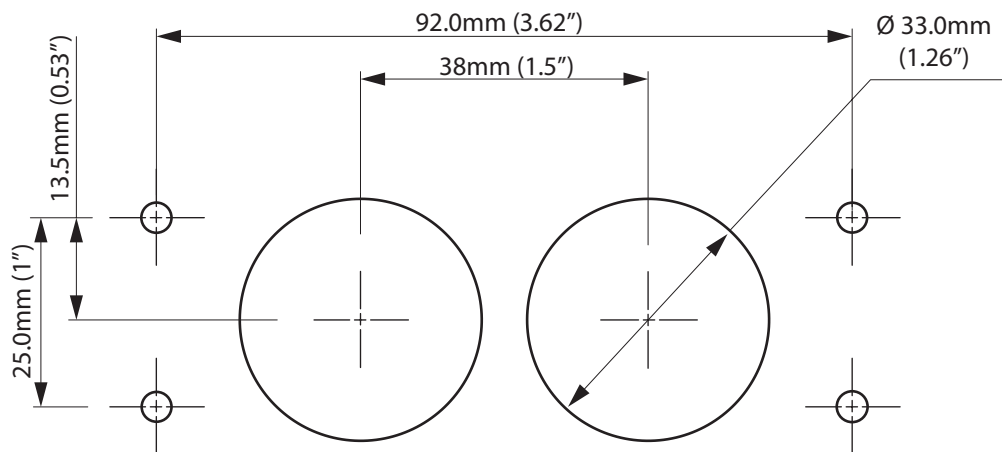
Technical info:

	USB Charger		12V Socket
Input voltage	12/24V system 10-32V DC		12V system 10-32V DC
Input current	6A max		10A max
	(12V system)	(24V system)	12V=10A
	5V=3A 9V=3A 12V=3A MAX	5V=3A 9V=3A 12V=3A 15V=3A 20V=3A MAX	
Waterproof rating	IPX4 front only lid closed		
Standby draw	0.01W		
Certification	CE, FCC, UKCA, C-Tick, ROHS, WEE		

Min panel thickness 3mm (0.11)
Max panel thickness 25mm (1")



Drilling template



SCANSTRUT