

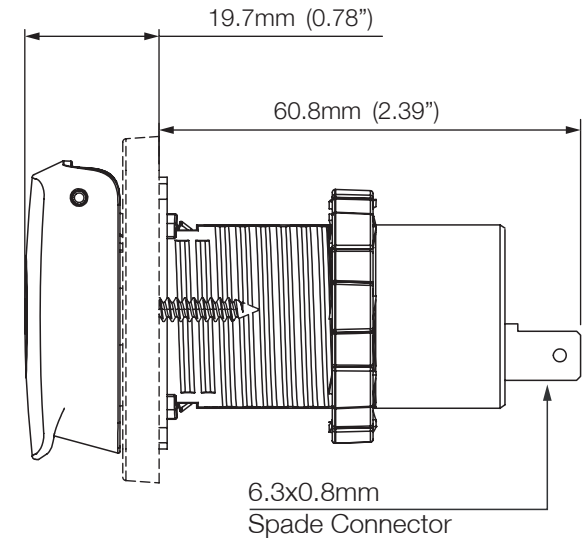
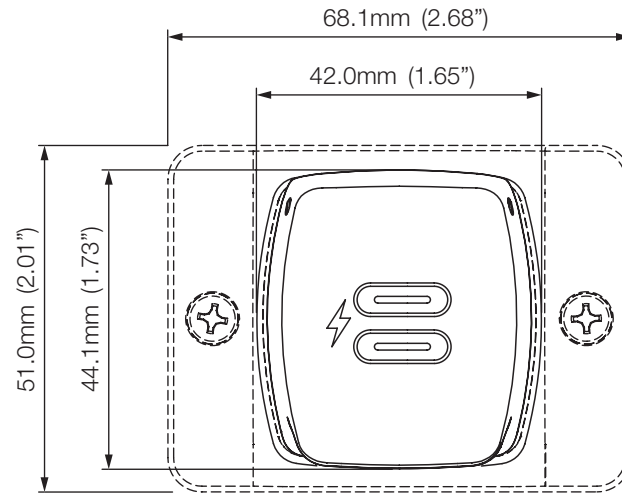
Flip Pro Max - Dual USB-C Charge Socket - **SC-USB-F3**

Email: sales@scanstrut.com

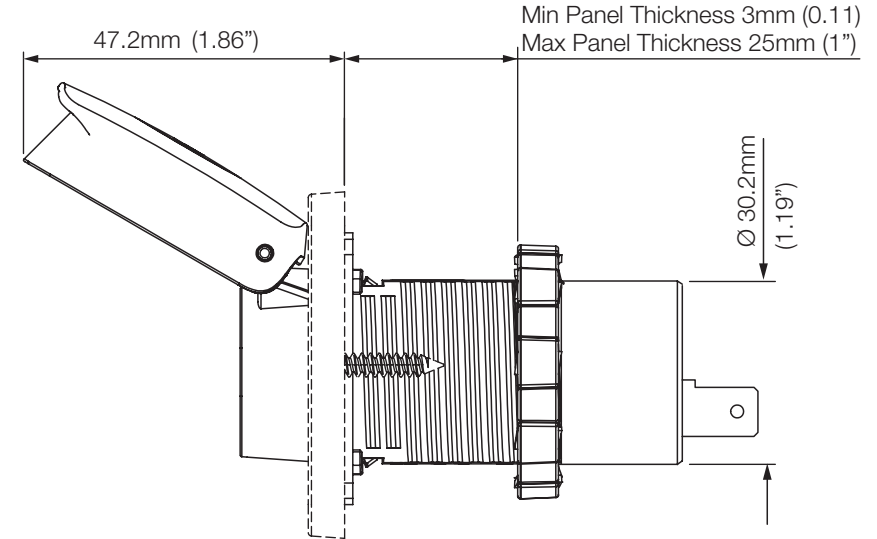
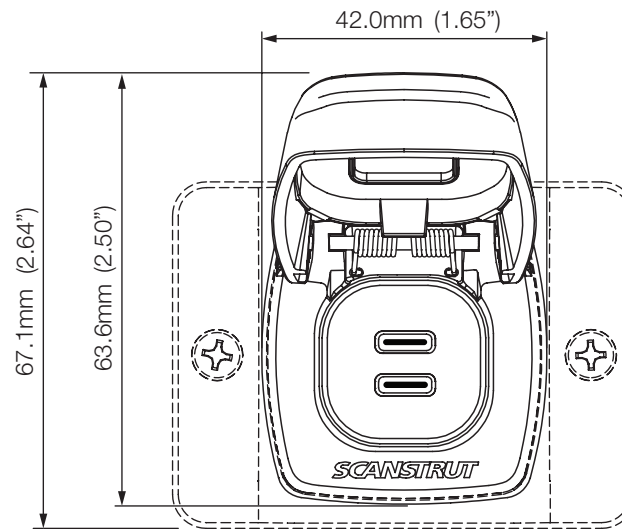
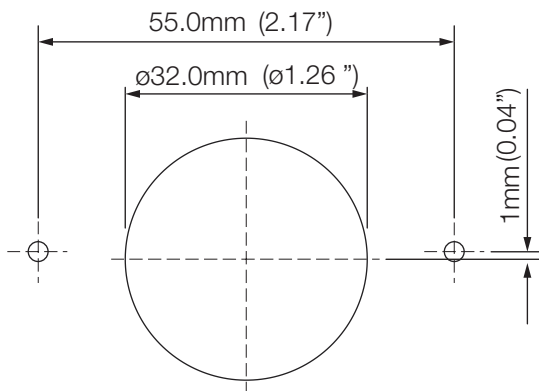
Email: usasales@scanstrut.com

Technical info:

Input voltage 12/24V System	10-32V DC
Input current Max	6A
Output Type C (12V System)	5V=3A, 9V=3A 12V=3A MAX
Output Type C (24V System)	5V=3A, 9V=3A 12V=3A, 15V=3A 20V=3A MAX
Waterproof rating	IPX4
Standby draw	0.01W
Certification	CE, FCC, UKCA C-Tick, ROHS, WEE



Drilling Template:



SCANSTRUT®