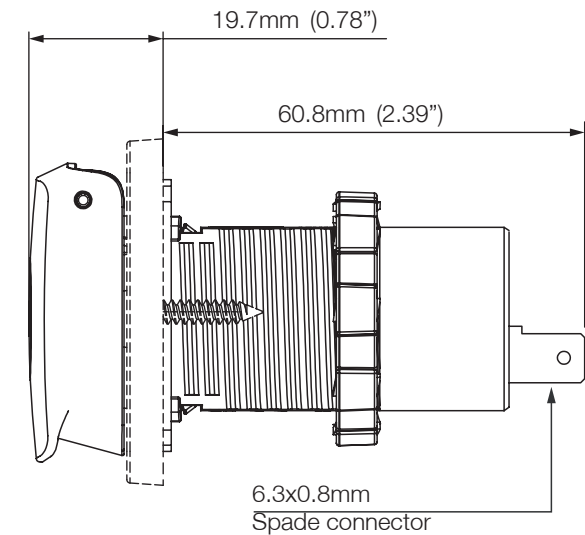
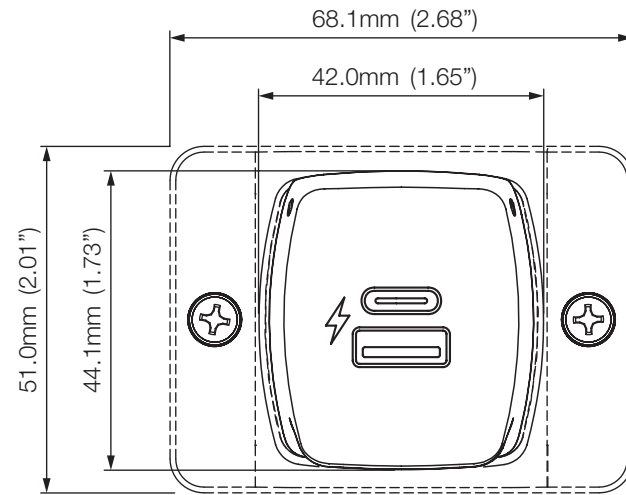


Flip Pro Plus - Fast Charge USB-A & USB-C Socket: **SC-USB-F4**

Email: sales@scanstrut.com Email: usasales@scanstrut.com

Technical info:

Input voltage	10-32V DC (12/24V system)			
Input current max	6A			
Output type	(12V system)		(24V system)	
	USB-A	USB-C	USB-A	USB-C
	5V=3A, 9V=3A, 12V=3A, MAX	5V=3A, 9V=3A, 12V=3A, MAX	5V=3A, 9V=3A, 12V=3A, MAX	5V=3A, 9V=3A, 12V=3A, 15V=3A, 20V=3A MAX
Standby draw	< 0.1W			
Waterproof rating	IPX4 front only lid closed			



Drilling template:

