

Technical Information

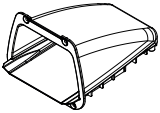
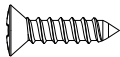
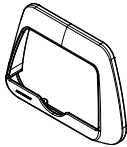



Charge/Storage pocket

Max phone size: 176mm (6.92") x 92mm (3.62")
(Including case)




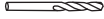

Wireless charger SC-CW-01E



Input voltage range : 10-30V DC (12/24V system)
 Input current max: 1.5A
 Output power: 5W (5V, 1A)
 Standby current draw: < 0.03W
 Certifications: Qi, CE, FCC, ROHS
 Waterproof rating: IPX6 front and back

Parts List

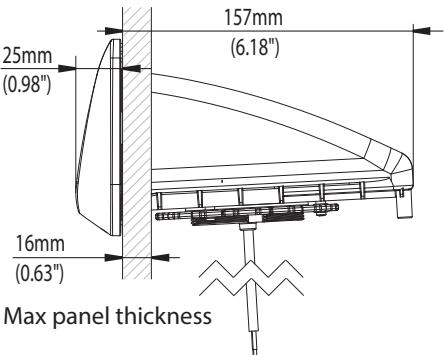
	Pocket		No6 (3.5mm) x 3/4" (19mm) self-tapping CSK Philips screw	x4
	Front bezel		3 x 10mm Pan head Philips Thread forming screw	x5
	SC-CW-01E-005 Wireless Charger		Drain Pipe 8mm (5/16") internal diameter (Optional, not included)	x1

Tools Required

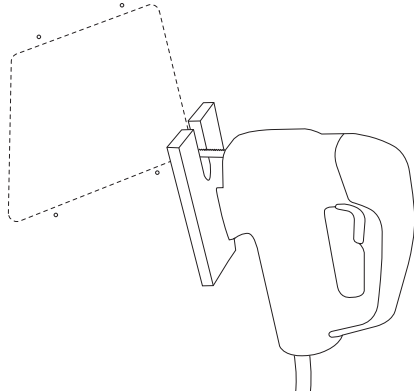
				
Philips No. 2 screwdriver	Powerdrill	Jigsaw	Drill bits 5mm (3/16") 2.5mm (3/32") 3mm (1/8")	Silicone Sealant

  READ THE IMPORTANT SAFETY INFORMATION LEAFLET BEFORE INSTALLING

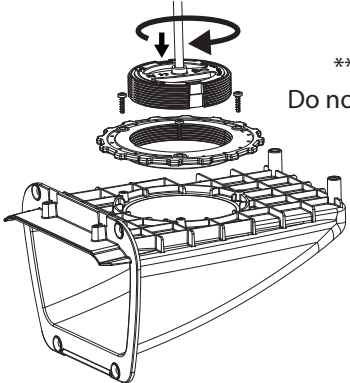
1 Choose mounting location ensuring there is adequate space behind mounting surface.



2 Cut out hole and drill pilot holes using paper template.

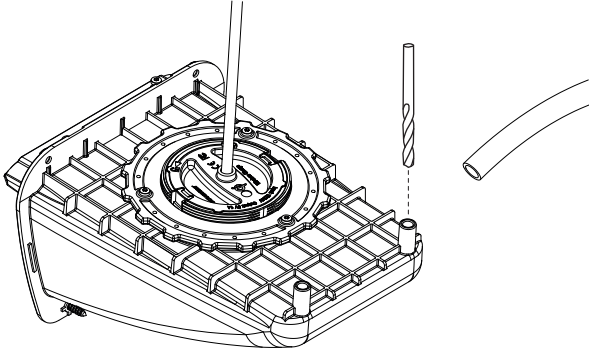


3 Install wireless charger SC-CW-01E using x3 3mm x 10mm pan head Philips thread forming screws provided.

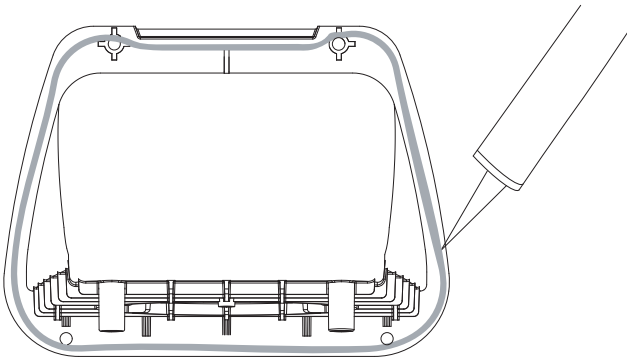


****Caution****
Do not over tighten.

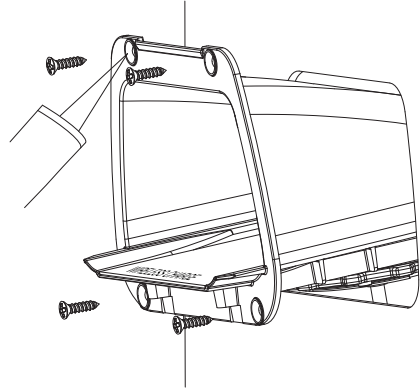
4 Optional Drain Pipe: Carefully drill drain holes using 5mm (3/16") drill bit. Attach drain pipe 8mm (5/16") ID pipe, not included.



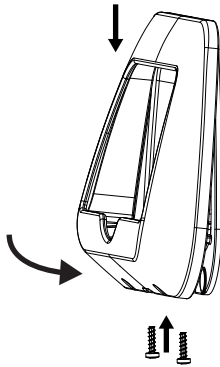
5 Apply silicone sealant generously around flange, ensure good coverage around perimeter.



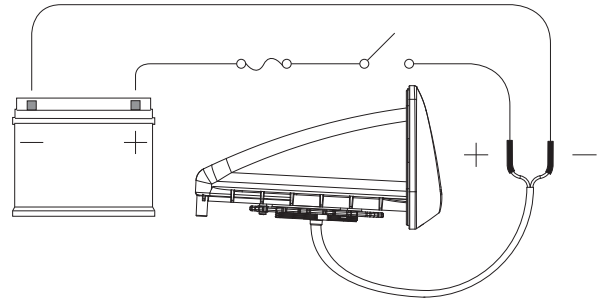
6 Secure with x4 No6. (3.5mm) x 3/4" (19mm) Self tapping CSK philips screws provided. Add silicone sealant to screw holes.



7 Attach front bezel using x2 remaining 3 x 10mm Pan head Philips thread forming screws provided.



8 Connect wires to 12/24V supply, ensuring a waterproof connection. Fuse according to input voltage and current.



Drill x4 holes for No.6 Screws

Suggested pilot holes:

Material	No. 6 Screw
Soft Material e.g. plywood	2.5mm (3/32")
Hard Material e.g. fiberglass, acrylic, hardwoods	3mm (1/8")

