

Compact Dual PowerTower - DPT-SR1/2M3
Installation Instructions

DPT-SR1/2M3 Kit Contents:

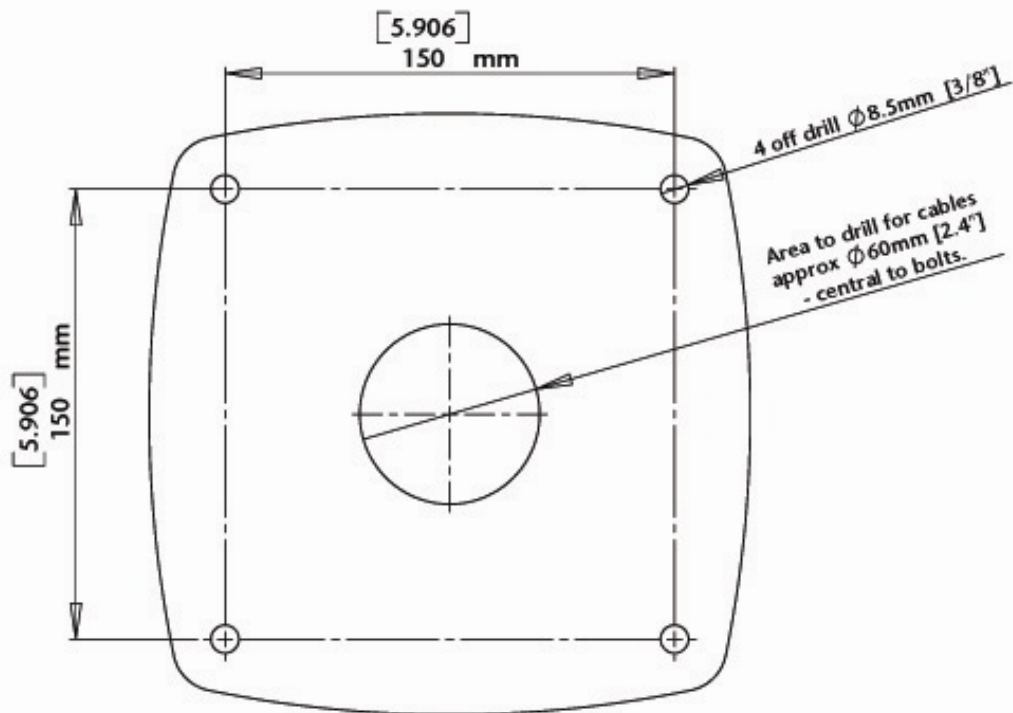
- 1 x DPT-SRM3
- 1 x Radar Plate
- 1 x Radar Plate Fixing Pack
 - 4 x M8x25CSK Bolts
 - 4 x M8 Nylock Nuts
 - 4 x M8 Washers
- 4 x Nylon Shoulder Washers
- 1 x Foam Base Seal
- 2 x IP Sealing Cable Grommet – Large
- 1 x IP Sealing Cable Grommet – Medium Blanked.



Also Required:

- 4 x M8 Stainless Steel bolts, large washers and nuts to attach DPT to deck/arch. Length to suit deck/arch thickness.
- 8.5mm Drill.
- Wide Flat Head Screw Driver
- 13mm Spanner / Socket
- Hole Cutter for cable loom; approx 50mm dia.

Drilling Guide



Fitting DPT-SR1/2M3 to Boat:

1. Before fitting to the boat, use the components from the Radar Plate Fixing Pack to loosely fix the radar plate onto the lower front platform of the DPT-SR1/2M3.
2. Position the Radome and place Radome plate as close to the stem of the DPT-SR1/2M3 as possible. Note the final position of the plate, remove Radome and securely fasten the plate into position.
3. Drill holes in arch to match DPT-SR1/2M3 base and a central cable exit – See drilling guide.
4. Thread the cable looms up through the arch, base seal and into the base of the DPT-SR1/2M3.
5. Pull enough cable through the front of the stem to reach your Radar. Install the cable using the waterproof grommet supplied.
6. Pull enough cable through the back of the stem to reach up to your Satcom Dome. Install the cable using the waterproof grommet supplied
7. Once enough cable has been pulled through fasten the DPT-SR1/2M3 to the arch, ensuring foam Base Seal is positioned under the DPT-SR1/2M3 base.
8. Fasten the Radome and Satcom Dome to their respective mount plates with the bolts supplied. Attach cables. If fitting any accessories [SC111/2+EXT-GPS, EXT-LED or EXT-LIGHT] then refer to the section on fitting an accessory below.
9. To finish push cables back through grommets to their chosen point and pull back until the internal part of the grommet reverses back.
10. If no SC111/2 and EXT accessory is to be added then the blanking grommet supplied will fit into the smaller hole at the back of the stem.

If Fitting an accessory; SC111/2+EXT-GPS, EXT-LED or EXT-LIGHT:

1. Attached GPS or Light onto top of EXT bar, thread cable through SC111/2 and screw the two components together.
2. The SC111/2 and EXT sub-assembly that was created in 1. will fit beneath the top fixing plate that the M3 attaches to. Undo 1 set of fixing bolts for the M3 and use them to fit the SC111/2 and EXT.
3. The blanking grommet supplied fits onto the smaller hole at the back of the stem. The cable for your GPS or light should run through this grommet. Using a flat head screw driver or similar, puncture the outer face of the blanking grommet and insert cable. Route cable through the DPT-SR1/2M3 and into boat.