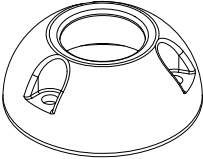
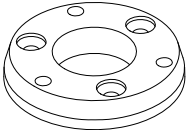
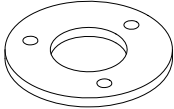


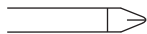
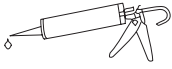

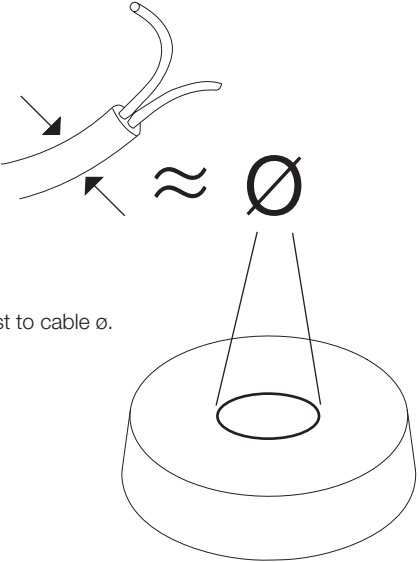


Parts List

		
Shell x1	Base x1	Gasket x1
 M3X10 Bolt - (Black*) x3	Blank	2mm
 No. 4X16 self tapping screw x3	3mm	4mm
	5mm	6mm
	DS6 Bungs x6	

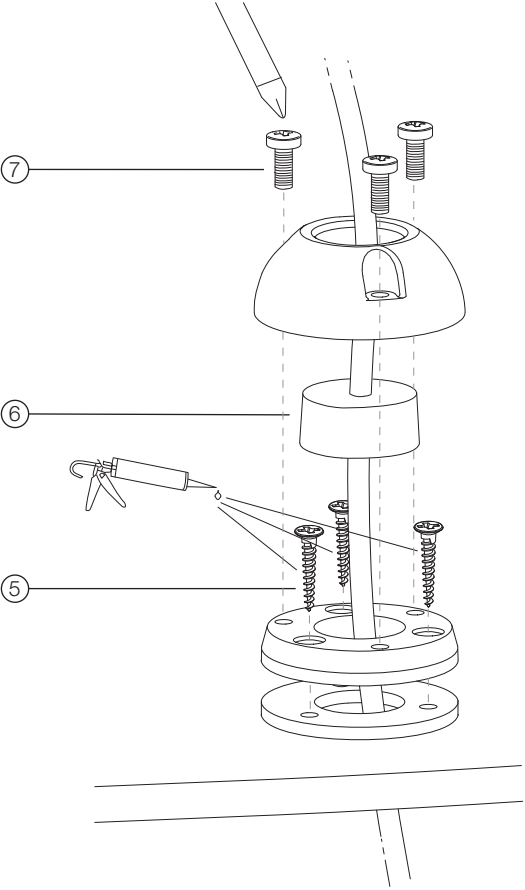
Tools Required

	
Pozi Screwdriver	Silicone
	
ø2mm (5/64") ø2.5mm (3/32") ø6mm (0.23") Drill Bit	



① Choose bung closest to cable ø.

DE - Wähle Dichtung nahe dem Kabel ø.
 IT - Scegliere il passafili adatto al ø del cavo.
 ES - Elija el tapón con el diámetro más parecido al cable.
 FR - Choisissez le joint le plus proche du diamètre du câble.



⑤

⑥

⑦

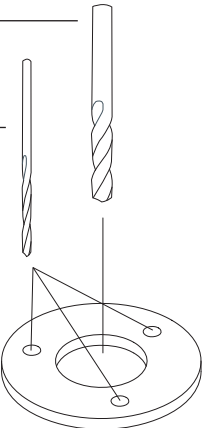
②

③ 6mm (0.23")

④

Suggested pilot holes:

Material	No. 4 Screw
Soft Material e.g. plywood	2mm (5/64")
Hard Material e.g. fiberglass, acrylic, hardwoods	2.5mm (3/32")



Share your installation with us.



UK & International
 +44 (0)1392 531280
 sales@scanstrut.com

For further installation
 and warranty information
 please visit:
 www.scanstrut.com

USA
 +1 860 308 1416
 usasales@scanstrut.com

