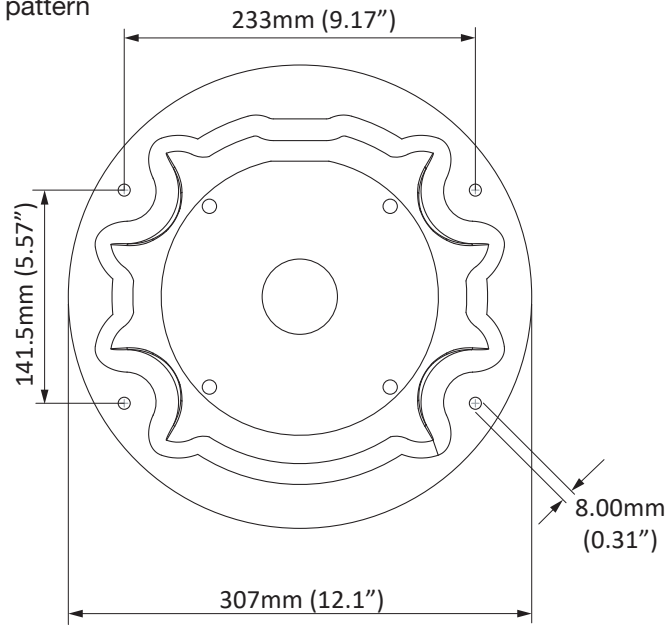


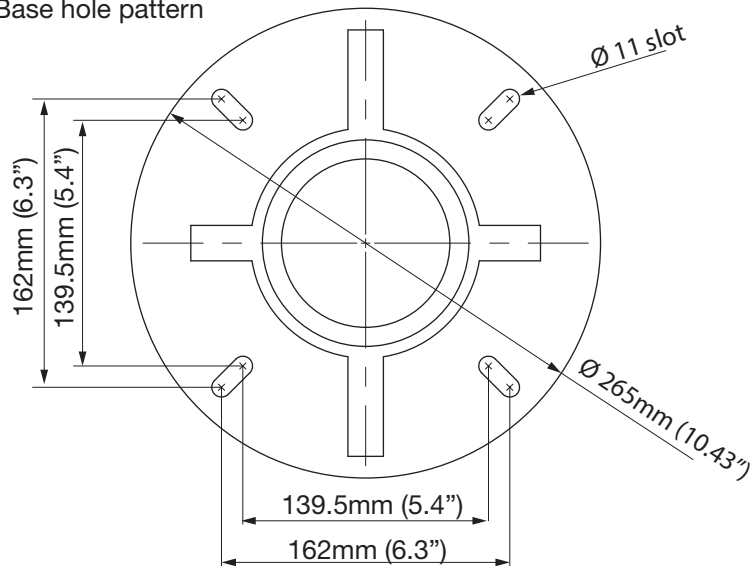
SC2-1-35 Pole Mount

Email: sales@scanstrut.com Email: usasales@scanstrut.com

Top hole pattern

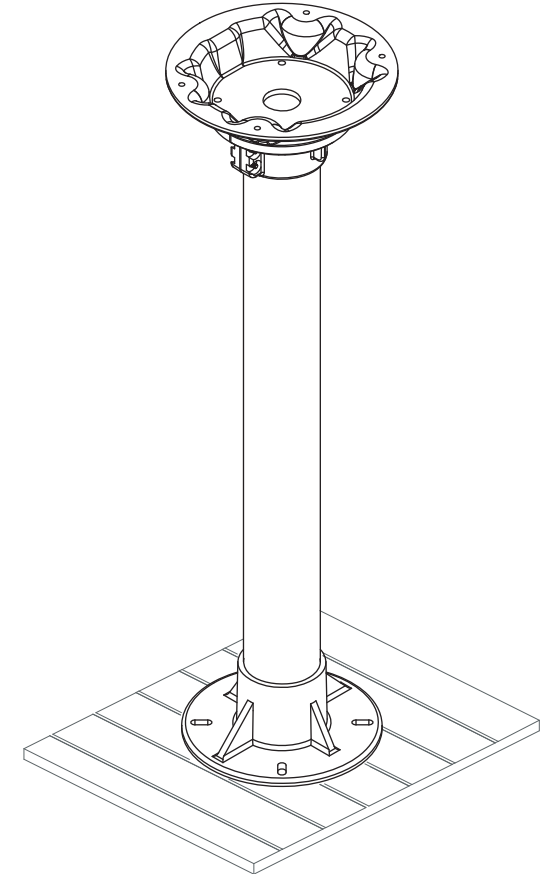
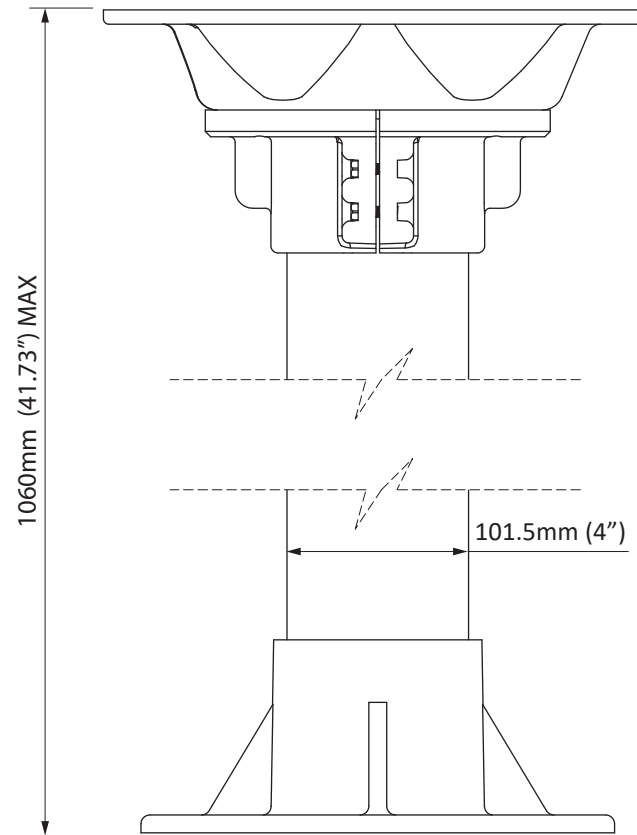


Base hole pattern



Includes SC35 GRP satcom adapter

MAX LOAD
26Kg*
(57.3 Lbs)



*assuming product is installed in a dynamic environment where accelerations of up to 3g will be experienced

SCANSTRUT®