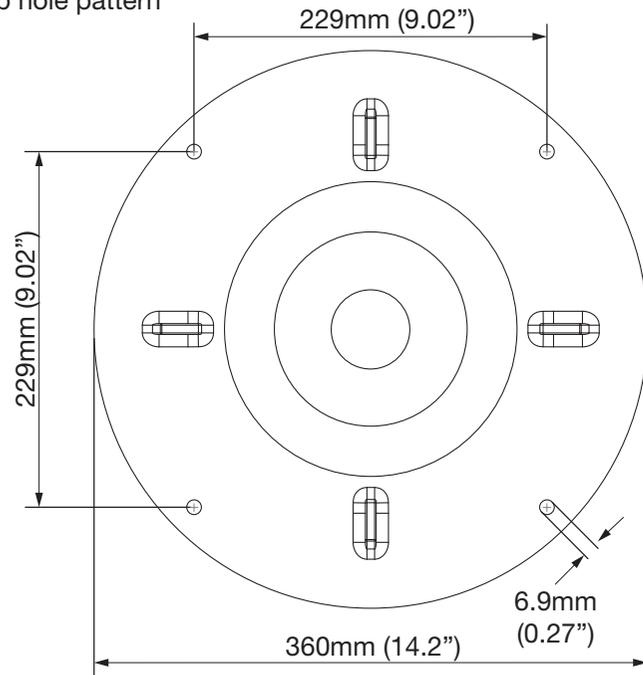


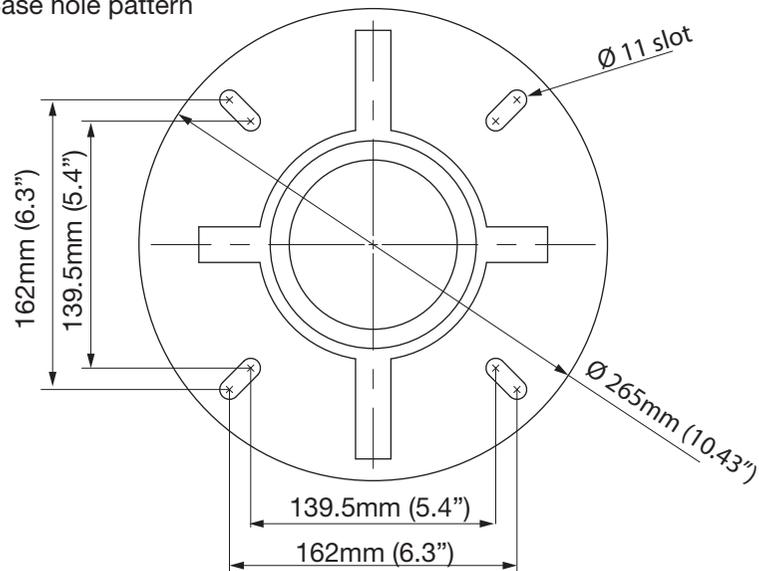
# SC2-1-45R Pole Mount

Email: [sales@scanstrut.com](mailto:sales@scanstrut.com) Email: [usasales@scanstrut.com](mailto:usasales@scanstrut.com)

Top hole pattern

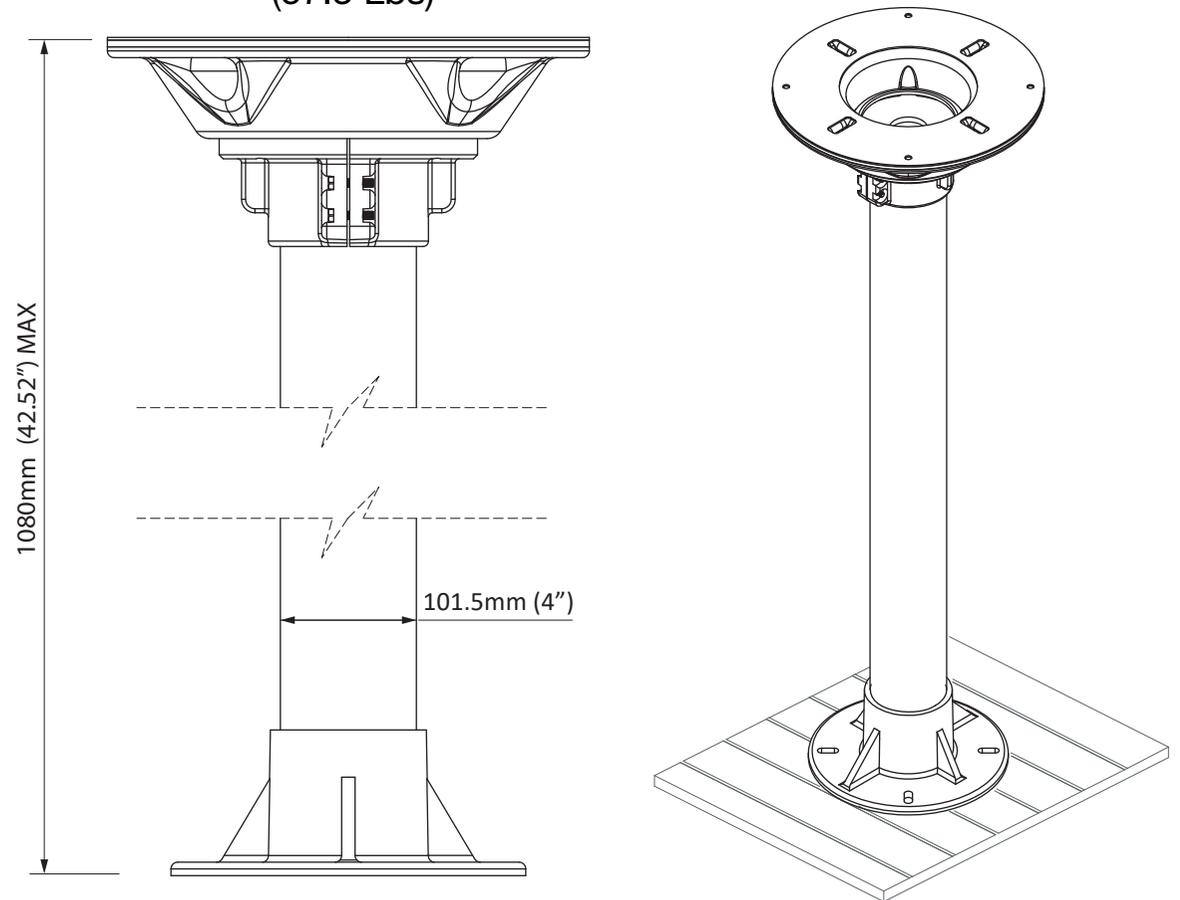


Base hole pattern



Includes SC45R GRP satcom adapter

MAX LOAD  
26Kg\*  
(57.3 Lbs)



\*assuming product is installed in a dynamic environment where accelerations of up to 3g will be experienced

**SCANSTRUT**