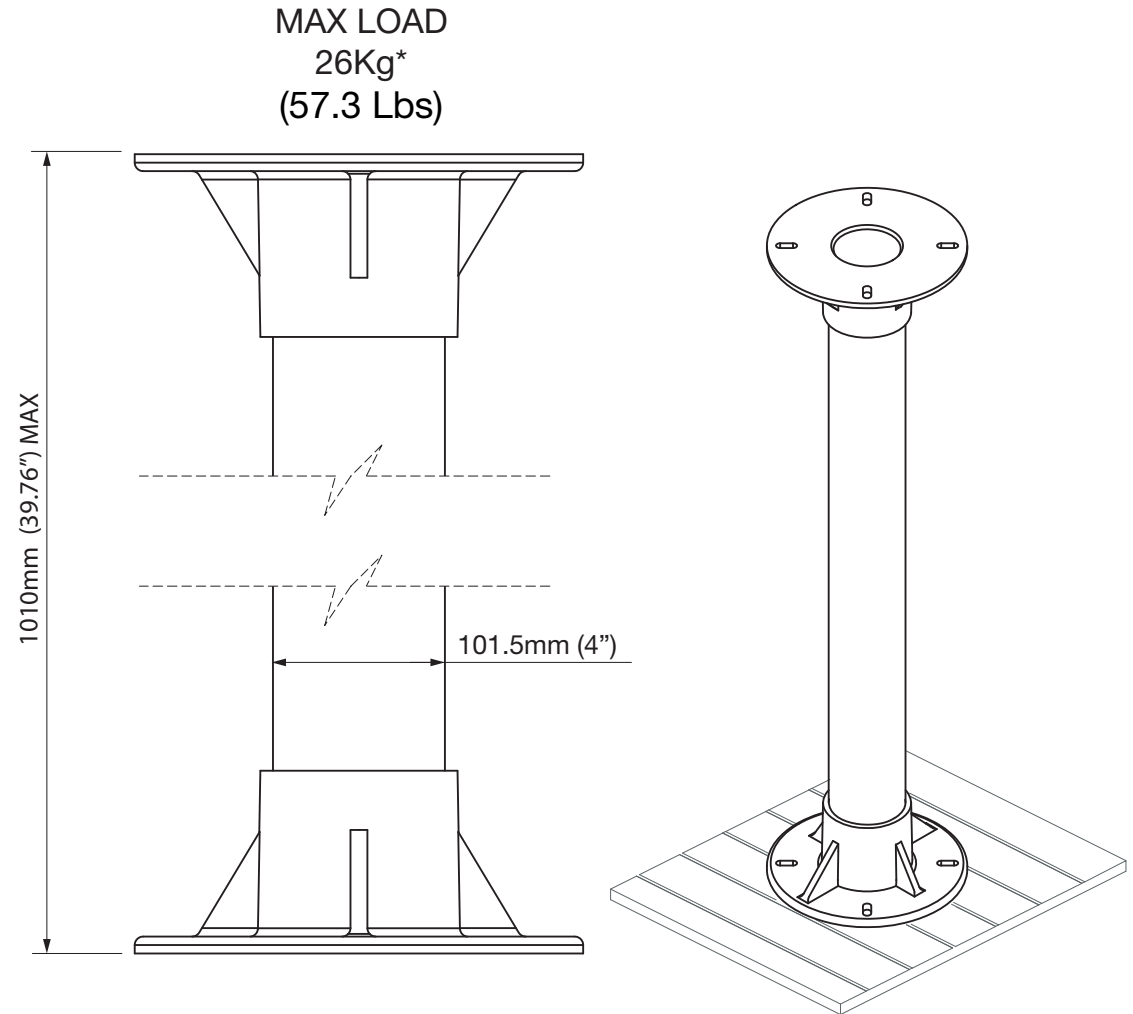
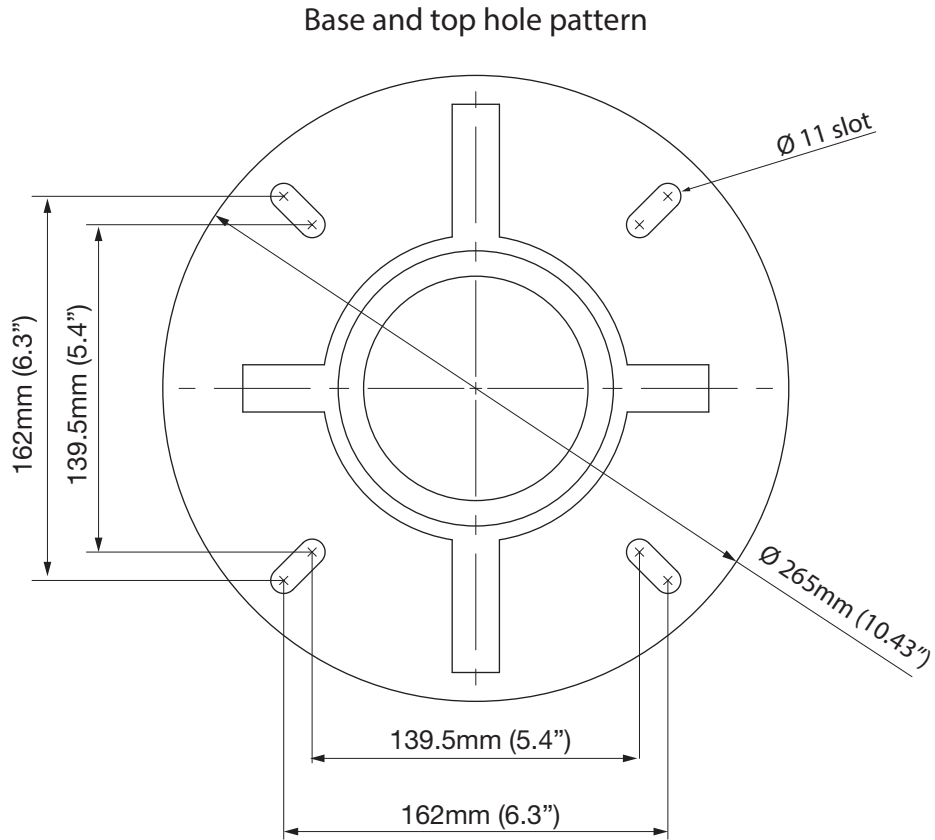


# SC2-1-BASE Pole Mount

Email: [sales@scanstrut.com](mailto:sales@scanstrut.com) Email: [usasales@scanstrut.com](mailto:usasales@scanstrut.com)



\*assuming product is installed in a dynamic environment where accelerations of up to 3g will be experienced

**SCANSTRUT**