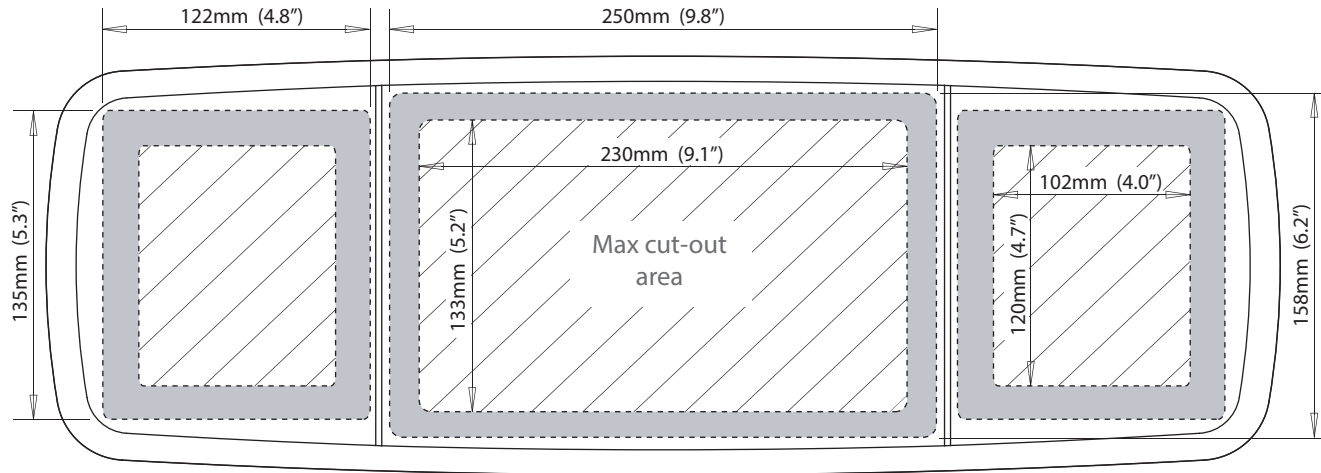
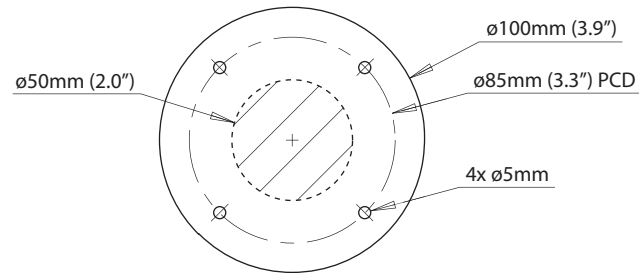


# SPD-4Xi

For help & information  
email: sales@scanstrut.com  
tel: +44 (0) 1392 531280



Dimensions true to face to be cut



Base Footprint

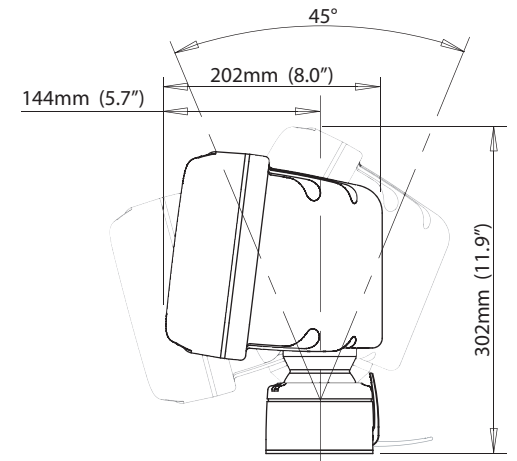
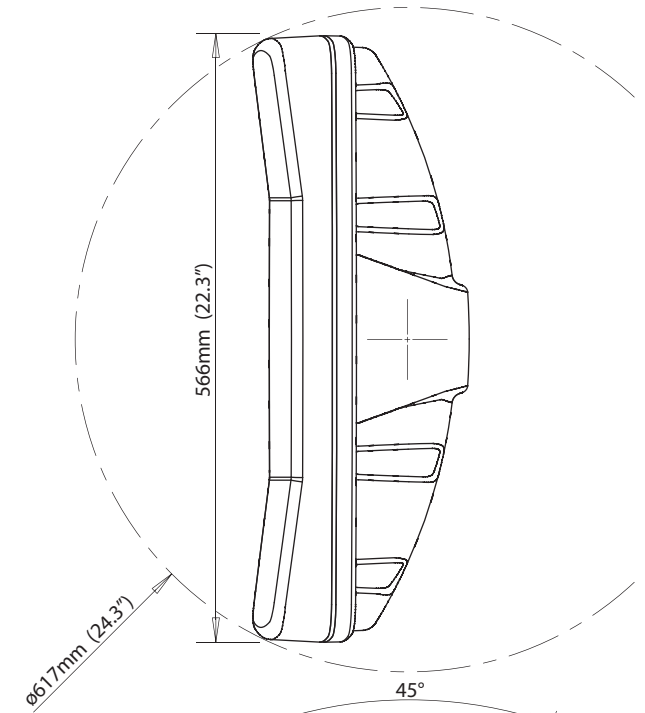


Diagram for representative purposes only



**SCANSTRUT.**