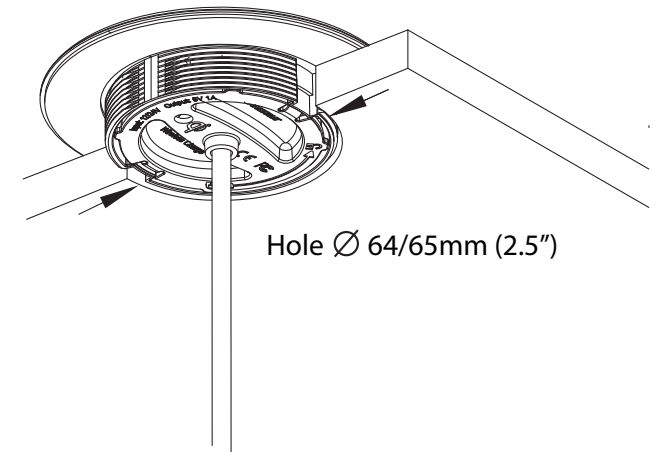
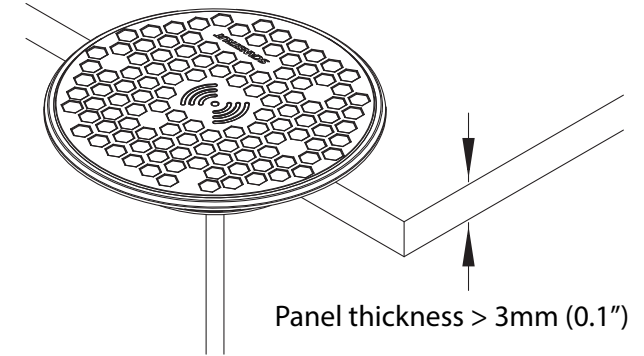
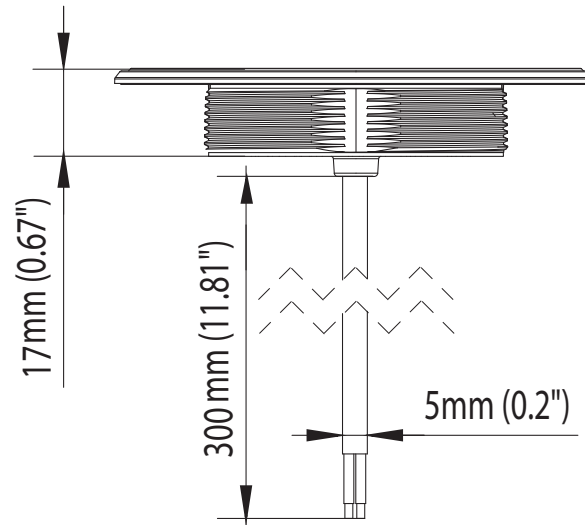
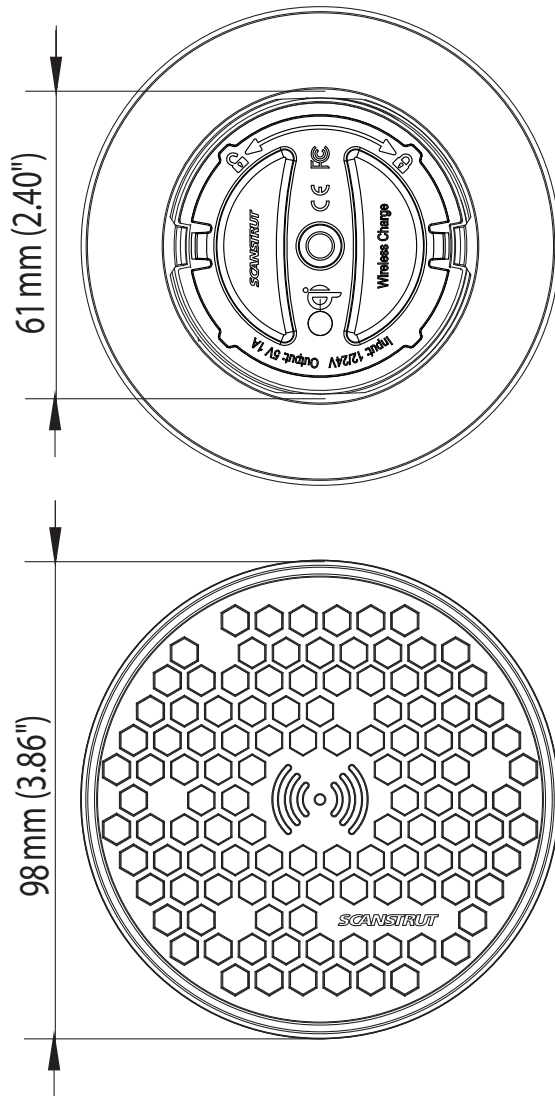


# ROKK Wireless Surface - SC-CW-02E

For help & information  
email: sales@scanstrut.com  
tel: +44 (0) 1392 531280



## Electrical info:

- Input Voltage Range: 10-30V DC (12/24V system)
- Input current max: 1.5A
- Output Power: 5W (5V,1A)
- Standby Power Draw : < 0.03W
- Qi, CE, FCC, ROHS Certified.

Waterproof Rating: IPX6



**SCANSTRUT**