

ROKK Wireless - Active (SC-CW-04E)


Technical information.

Input voltage range : 10-30V DC (12/24V system)
 Input current max: 1.5A
 Output power: 5W (5V, 1A)
 Standby current draw: < 0.03W
 Waterproof rating: IPX6 front and back
 Certifications: Qi, CE, FCC, ROHS, UNECE R10 E24

For latest tech info visit: www.scanstrut.com/rokk-wireless


  **READ IMPORTANT SAFETY INFORMATION LEAFLET BEFORE INSTALLING.**

Part List:



ROKK Wireless Edge


x1



No 6 x 1 1/4" (32mm) self tapping screw

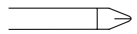
x3

Tools Required:



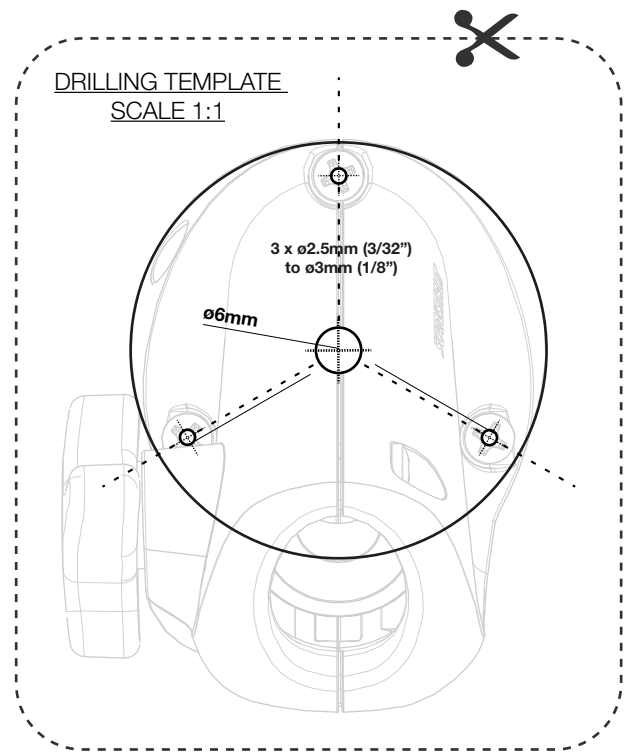
ø6mm (0.24") drill bit

Drill bit (for pilot holes)



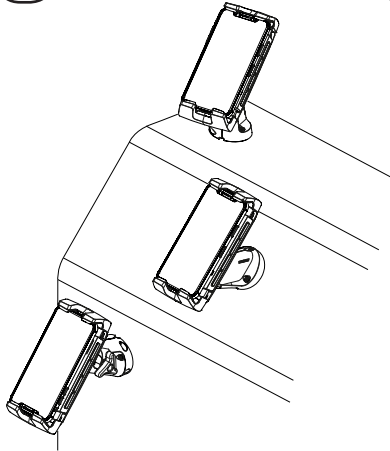
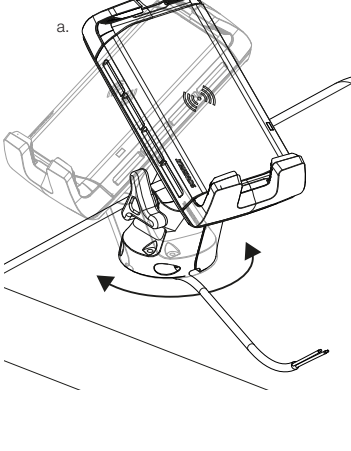
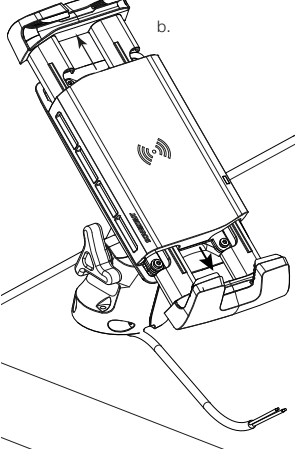
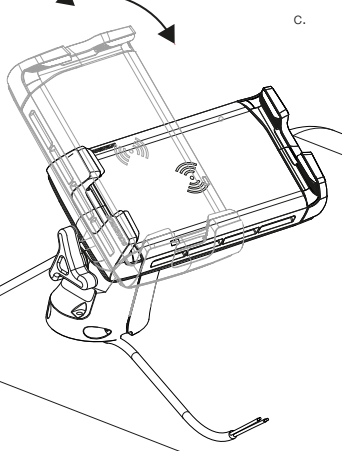
Pozi screwdriver

Material	No. 6 Screw
Soft Material E.g plywood	2.5mm (3/32")
Hard Material E.g Fiberglass acrylic, hardwood	3mm (1/8")



1 Select optimum mounting location.

2 Check viewing angle (a), full jaw extension (b) and 90° adjustability (c).

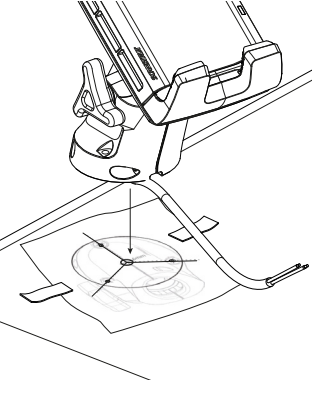
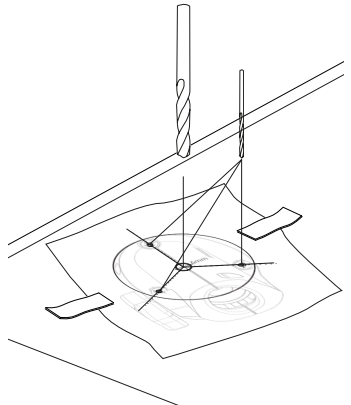
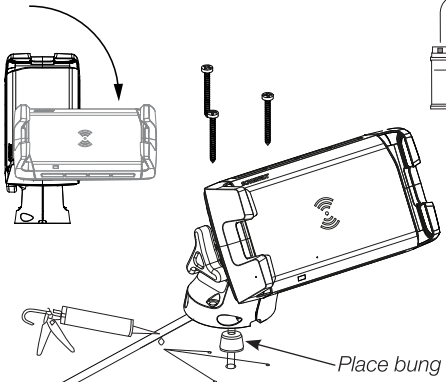
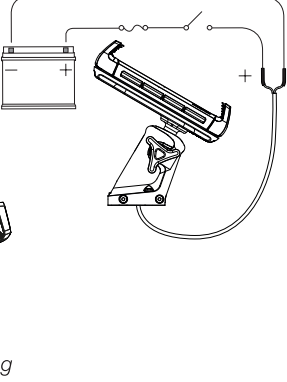





3 Cut out drill template, check alignment and stick down.

4 - Drill Ø6mm (0.24") hole in the centre.
 - Drill 3 pilot holes (see tools required table - page 1).

5 - Lightly de-burr 6mm (0.24") hole.
 - Feed wire through hole.
 - Rotate to Landscape.
 - Apply sealant to 3 x holes.
 - Evenly screw the mount into place.

6 Connect wires to 12/24V supply, ensuring a waterproof connection. Fuse according to input voltage and current.

Place bung